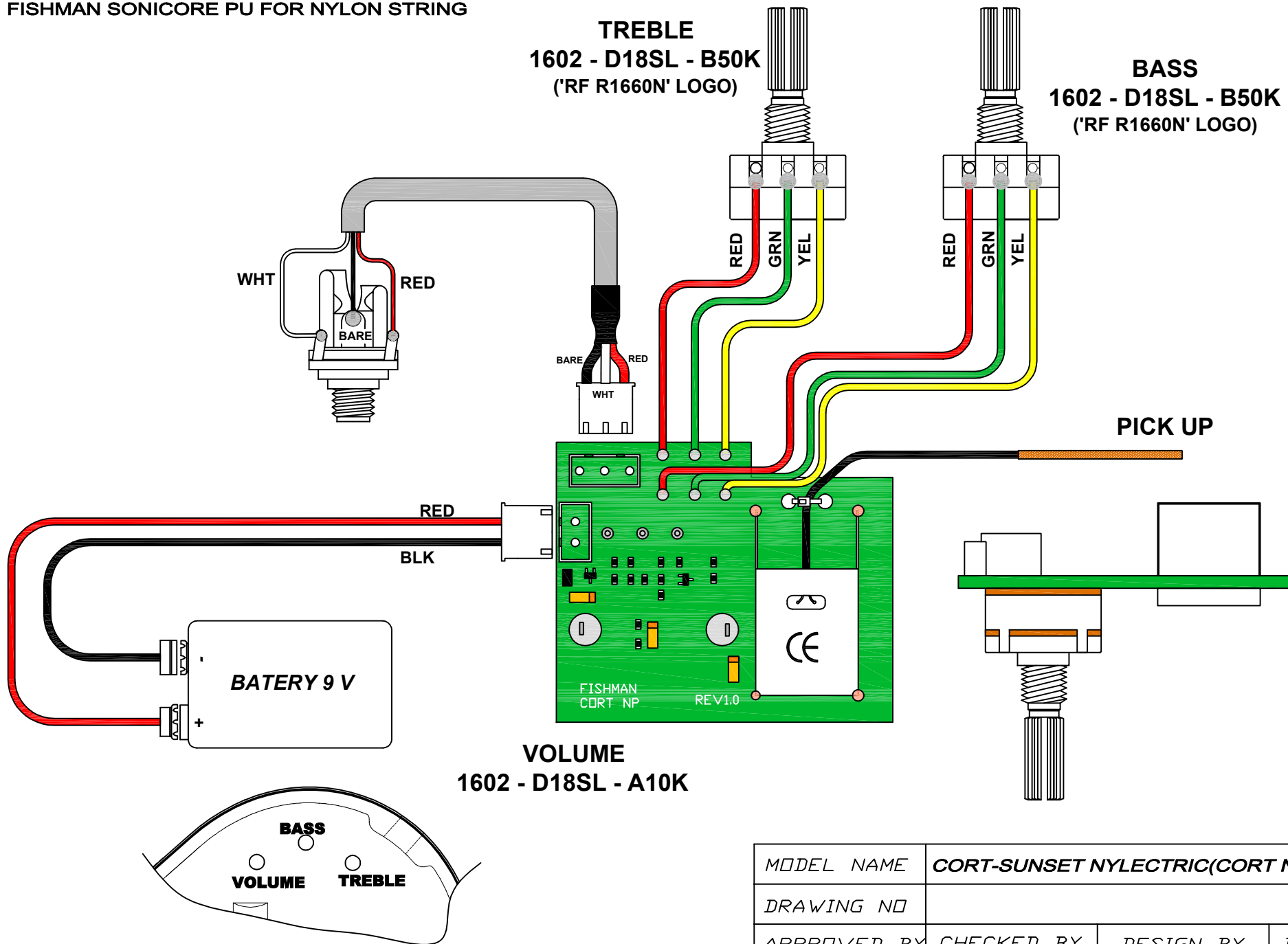


EQ : FISHMAN SONICORE PU FOR NYLON STRING



MODEL NAME	CORT-SUNSET NYLECTRIC(CORT NYLON AMP)		
DRAWING NO			
APPROVED BY	CHECKED BY	DESIGN BY	DRAWING BY