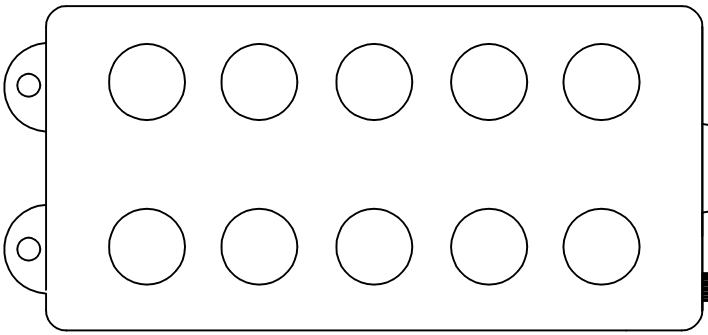


**PTP8057-2**  
**JB5NL-F<#43 / 5500T:6000T>ANC#5**  
**W/CV BK MATT**



**PTP7083**  
**MBA/5ST-BLK-4P<#41/ 4000T>ANC#5**  
**(18,3MM)**

**BALANCER**  
 1609-D20RL-A500K+C500K

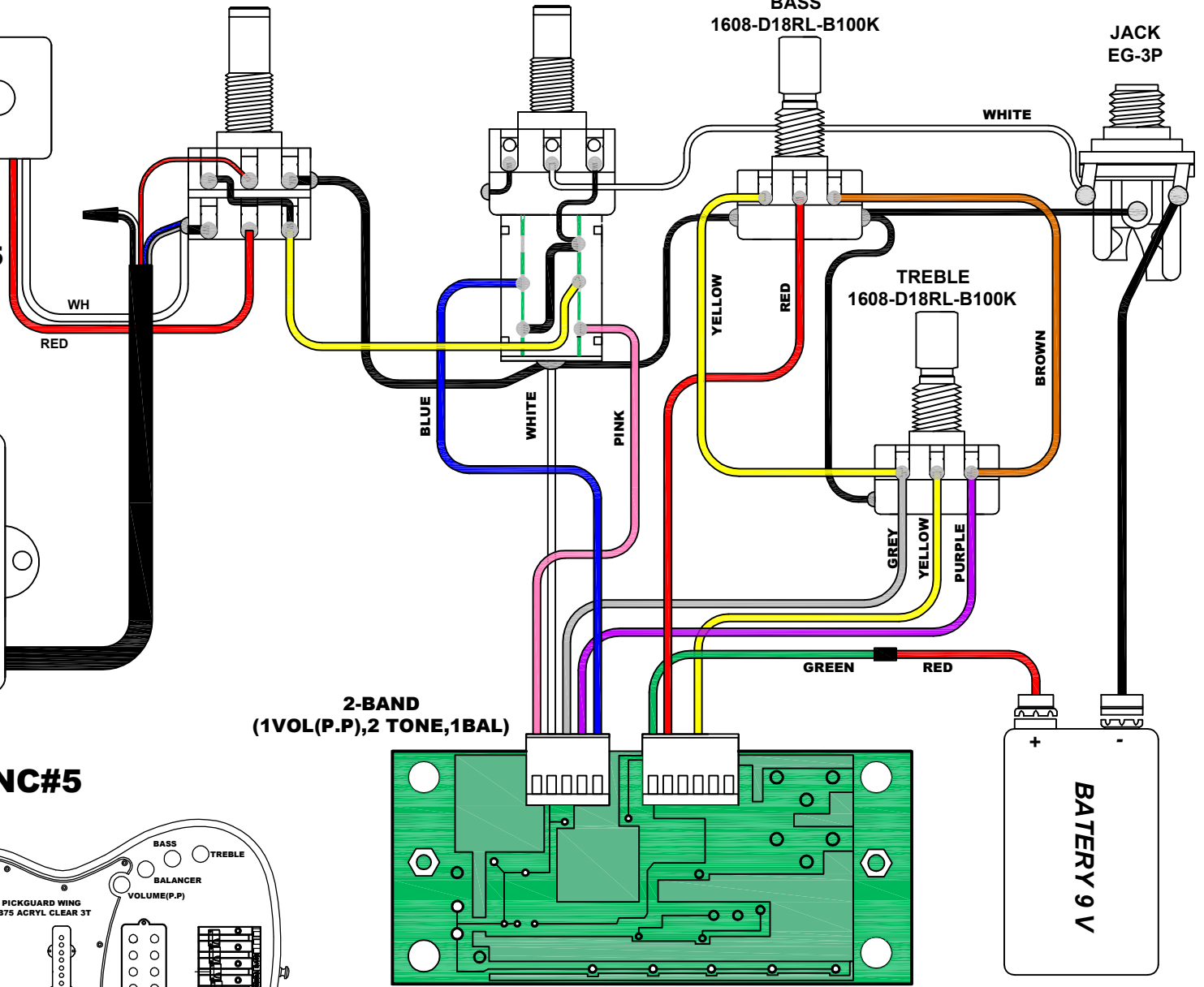
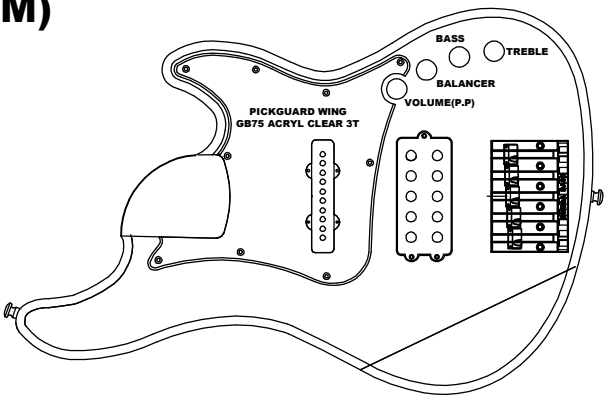
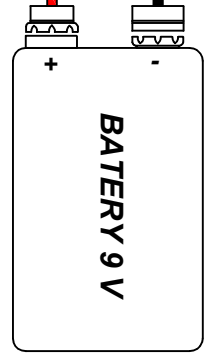
**VOLUME**  
 1607-D20RL-10B500K(P.P)

**BASS**  
 1608-D18RL-B100K

**JACK**  
 EG-3P

**TREBLE**  
 1608-D18RL-B100K

**2-BAND**  
 (1VOL(P.P),2 TONE,1BAL)



PT. CORT INDONESIA			
MODEL NAME	CORT-GB75JH (2017) W/PICKGUARD WING		
DRAWING NO			
APPROVED BY	CHECKED BY	DESIGN BY	DRAWING BY